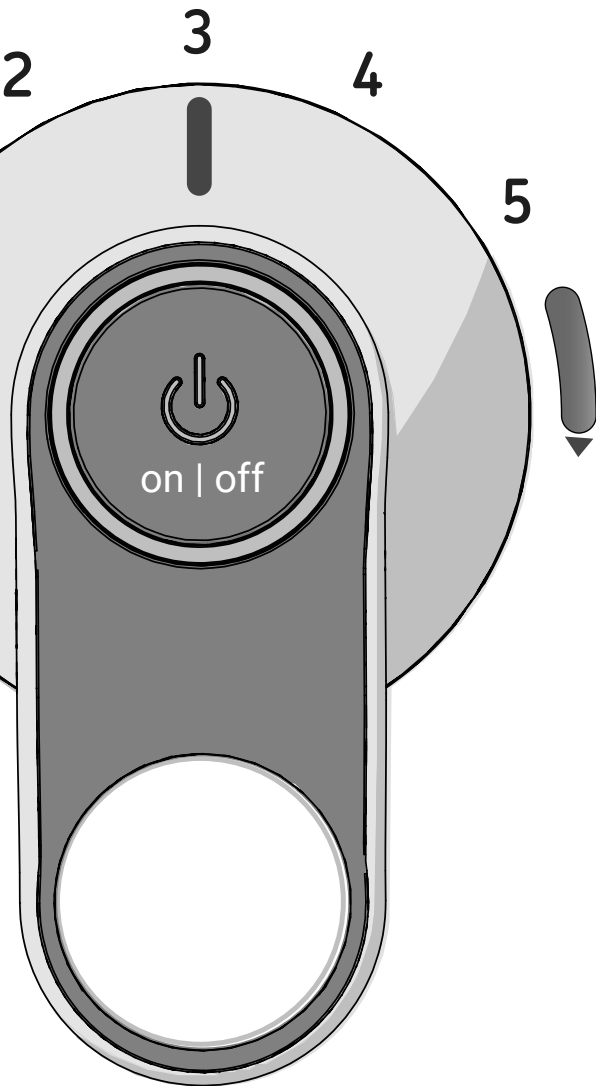


Temperature



WRAS
APPROVED
PRODUCT

BEAB
Approved

Intertek

BEAB
CARE

Intertek

CE

UK
CA

Electric Care Shower

Installation and Instruction Manual

If you require these instructions in braille, audio or large print, please contact us.

Installer - please read all instructions carefully before installation and leave this manual with the end user for future reference



The AKW SmartCare Lever electric shower has been designed to allow for easy operation. The large ergonomic handle makes temperature selection even easier and is clearly indicated. The on and off push button is nested clearly inside the handle which is surrounded by an led light ring whilst generating audio/visual feedback for the user.

Automatic Shut Down - The shower automatically shuts down after 30 minutes operation. It will beep for 30 seconds prior shutdown. To bypass this, simply press the power button to carry on for another 30 minutes.

Phased Shut Down - Flushes the shower with cold water to avoid the possibility of scalding if the shower is restarted within a short period of time.

Flexible Installation - 8 water and cable entry points

Dual power blocks for left or right wiring

Retro-fit footprint

5 year warranty

8.5 and 9.5kW options available

Wired and wireless connectivity to all AKW DigiPump shower waste pumps

Introduction	2-3	Plumbing	18-21
Product Features	2	Water Requirements	18
Contents	3	Plumbing Connections	19
User	4-9	Plumbing Entry Points	20
Safety Information	4	Check List	21
Operating Instructions	5	Electrical	22-25
Volume Setting	6	Electrical Requirements	22-23
Maintenance Cleaning	7	Electrical Entry Points	24
Troubleshooting	8	Connecting Waste Pump	25
Warranty	9	Commissioning	26-34
Installer	10-17	Temperature & Mode Settings	26
Main Components	11	Cold Water Flushing	27
Specifications	12	Functional Checks	28
Installation Requirements	13	Troubleshooting For Engineers	29-31
Disassembly	14	Commissioning/in-service tests	32-33
Fitting to wall	15	Service Record	34
Reassembly - Bottom Cover	16		
Reassembly - Front Cover	17		

Failure to install this AKW product in accordance with supplied instructions or the making of unauthorised modifications will invalidate any warranty and may affect product safety.

Please ensure the warranty card details are filled in and returned in the envelope provided. Alternatively visit our website and register online. www.akw-ltd.co.uk/warranty

These instructions are provided to advise the minimum standards of installation and recommend the best practice for the installation. Due to the wide variability of possible installation conditions, AKW cannot provide every solution for the installation. AKW does not accept any liability in connection with this information or its use. This information is provided on the condition that the person receiving it shall make their own tests to determine the suitability for their particular purpose. None of the foregoing affects your statutory rights.

This appliance can be used by any persons (including children from 8 years and above) with reduced physical, sensory, mental or intuitive capabilities or by any persons with a lack of experience and knowledge of showering, only if they are supervised or have had the correct instructions on how to operate the appliance correctly.

Children should be supervised to make sure they use it correctly and do not play with the appliance.

Sunburn or skin conditions can increase your sensitivity to hot water. Make sure that you set the shower to a cooler temperature.

Do not operate shower if you suspect the water in the heater tank is frozen or the appliance has been susceptible to freezing conditions.

Do not operate the shower if the spray handset or hose is damaged, twisted, scaled up or blocked in anyway.

Do not restrict flow out of the shower by blocking, kinking or obstructing the hose or spray handset.

Do not use other shower hose and handset brands with this shower. Using other handsets or hoses will make this SmartCare Lever shower a non-care approved shower. Only use AKW approved products.

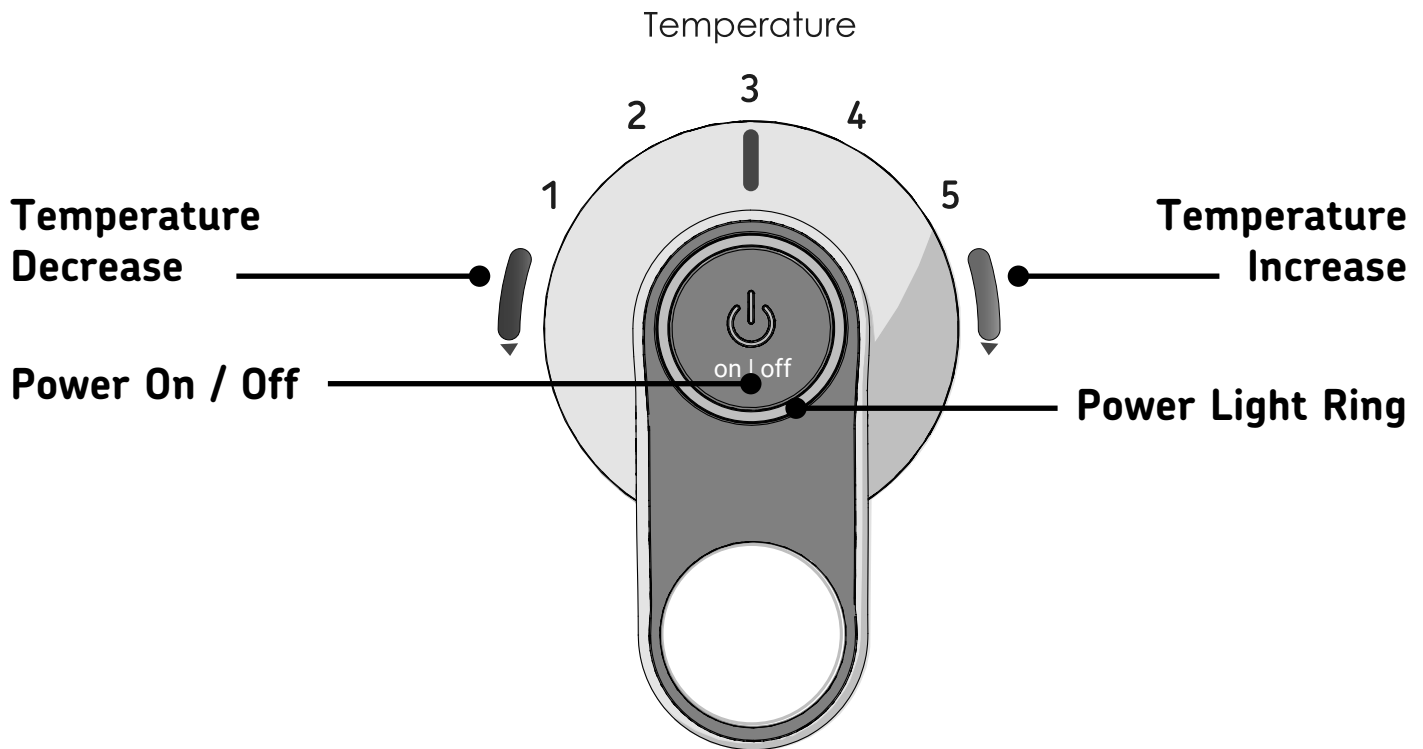
Factory Temperature Settings

The shower is set to **43 °C** in its factory setting when packaged.

This is not Care approved at this temperature.

To comply with BEAB Care standard and to be Care approved, then the maximum temperature DIP switch setting must be changed to 41 °C.

The maximum water temperature can be set to either 41 °C, 43 °C Factory set or 47 °C by changing the DIP switch settings located on the control PCB inside the front cover - see page 26. Do not attempt this yourself unless your are a competent installer and have read all of these instructions before doing so.



Starting the Shower

Switch on the mains power at the isolating switch.

When power is applied, the inner light ring will be dimly lit and the shower is in standby mode.

To switch on, press the power button. The inner light ring will be brightly lit.

Temperature Setting

Rotating Handle 180° rotation
cold (anti-clockwise) 1 / 2 / 3 / 4 / 5 / hot (clockwise)

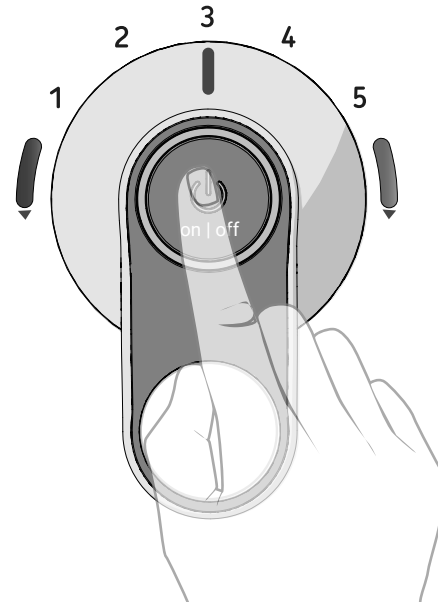
Note:

By increasing the temperature, it may reduce the flow rate from the shower.

Changes in the flow rate and water temperature may take a few seconds to reach the handset.

Step 1 Enter Volume Setting

When in Standby.
Set Temperature lever to 3.
Press and hold the Power button until beep/led flash.
Release Power button to enter volume set mode.



Step 2 Set Volume Level

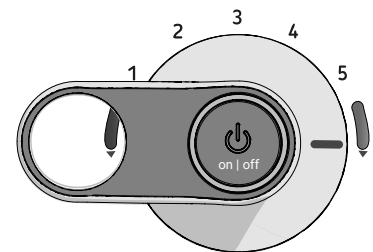
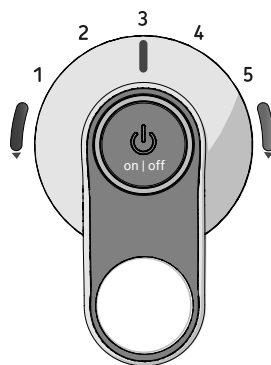
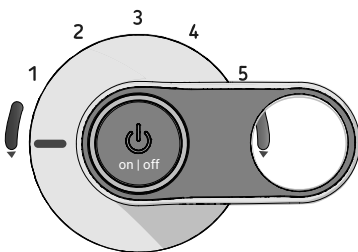
Off



Low

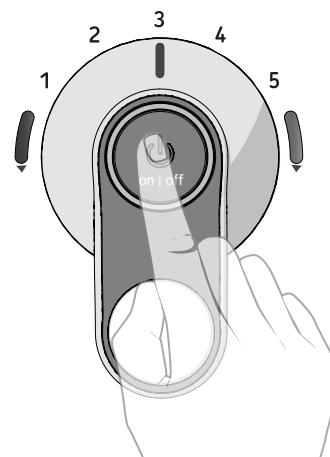


High



Step 3 Exit Volume Setting

Press and release
Power button to save
the settings. The
shower will revert to
Standby mode when
complete.



Always isolate power supply before cleaning. Do not operate if the shower unit is frozen. Clean and de-scale the shower head regularly.

The shower unit and surrounding areas should be cleaned periodically to remove any accumulation of dirt or other waste materials, using domestic bathroom and kitchen cleaning materials with a soft cloth.

Do not use abrasive pads or cloths. Do not use strong or concentrated acidic, alkaline or other cleaning materials as these may damage or discolour the product.

After cleaning always wash down with water then wipe thoroughly with a damp soft cloth to remove any cleaning material residue.

DO NOT position the handset to spray water directly on to the appliance.

Children should be supervised at all times if they use the shower appliance or attempt to clean it.

Read and understand the user guide before commencing trouble shooting.

Symptom	Possible Cause	Remedy
No Water Flow	Water isolating valve in off position	Turn on water supply
	Filter blocked	Turn off water and electrical supply, remove filter and clean see page 31.
	Thermostat tripped	Turn handset to wall. Perform cold flush. See page 27.
No Lights on	No mains power supply	Turn on the isolating power supply.
Abnormal Temperatures	Faulty thermistor	Call your local installer
Reduced water flow	Reduced pressure Blocked hose or handset	Check and clean the handset. Press the flow increase button and/or press the temperature decrease button.
	Water pressure is below minimum requirement. This may be caused by other appliances on the same pipework drawing water	Check other draws off's. Check running pressure (minimum of 0.5bar) (1bar Recommended)
Wireless Pump not responding	Faulty wireless pump link (if installed)	Not Paired No Power to the Pump RF interference
Fault LED's Display (See Page 29 for reference)	Low Flow/Low Pressure Inlet thermistor Fault Outlet thermistor Fault Uncontrolled over temperature	Call your local installer who then should call the AKW technical enquiries. Refer to back page.

If the shower does not work as expected, switch off at the pull-cord or isolating switch, wait 30 minutes for the shower to reset then switch back on again.

AKW guarantee your shower against any defects in manufacturing or materials for 5 years from the date of installation. Please ensure you have completed the warranty card enclosed and return to AKW within 30 days to activate this warranty offer. Alternatively visit www.akw-ltd.co.uk/warranty and complete the online registration form. Within this period AKW will decide to repair or replace as we may choose. Failure to activate warranty in set period will mean potential charges should a visit to site be required by an AKW Maintenance Engineer. Any action taken under this warranty does not extend the stated 5-year expiry date. If you do not register this product, your warranty will only be covered for 12 months. None of the foregoing affects your statutory rights.

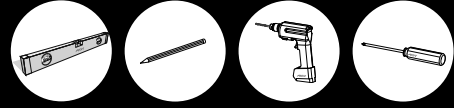
This guarantee is in addition to your statutory rights and is subject to the following conditions:

- The product must be installed and maintained in accordance with these instructions.
- Repair under this guarantee does not extend the warranty date. The warranty on any replacement parts or product will still end at the original warranty expiry date.

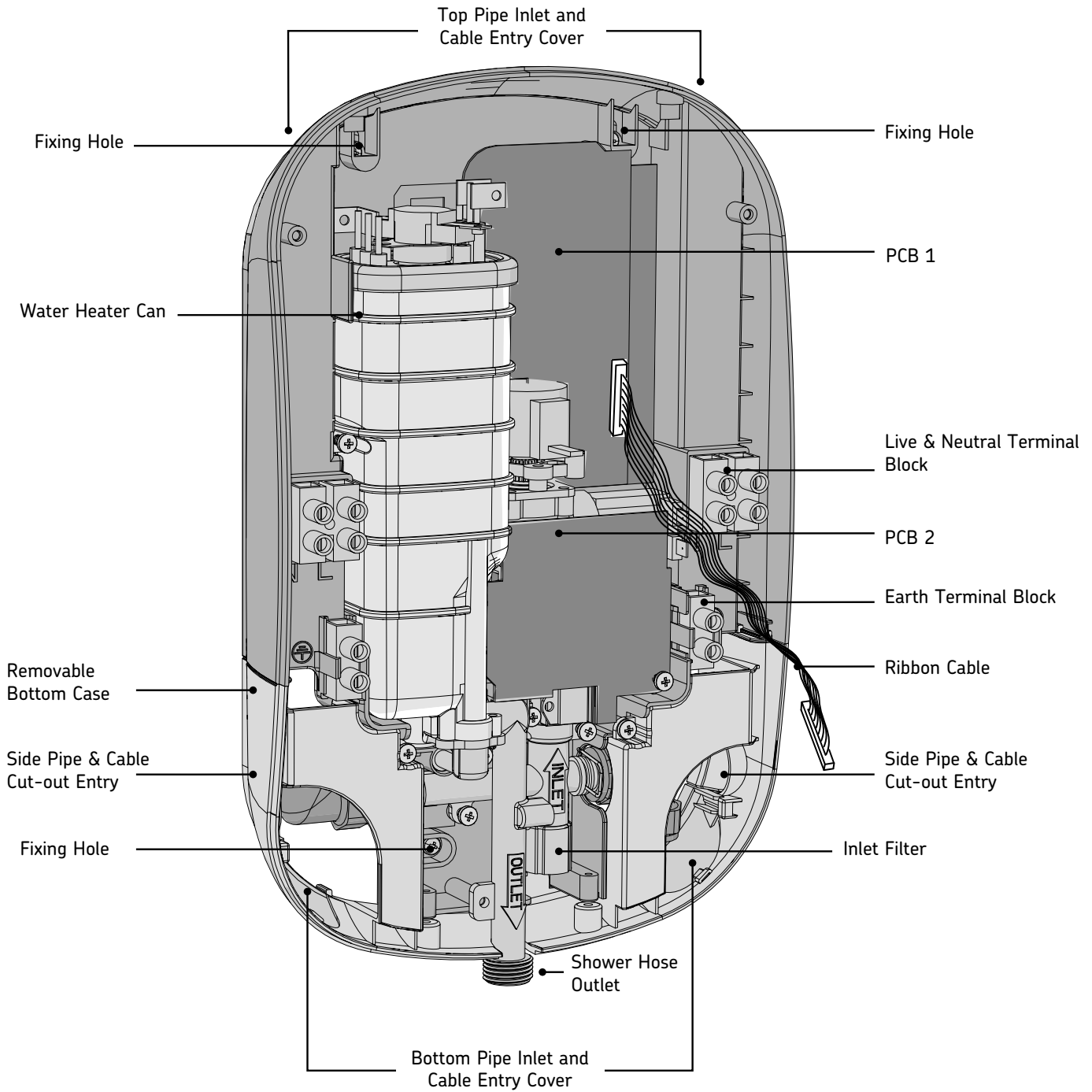
Not covered by this warranty:

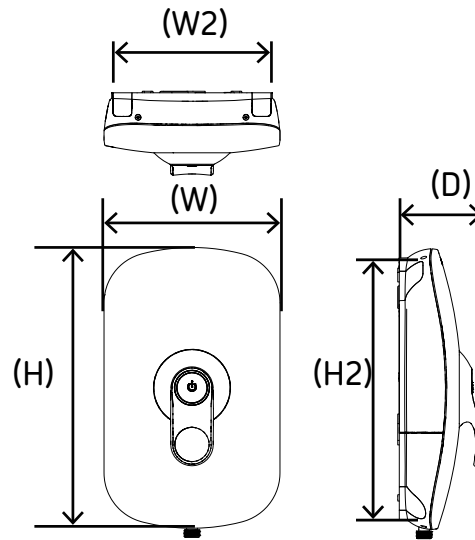
- Call out charges for non product faults (such as damage or performance issues arising from incorrect installation, improper use, lack of maintenance, build up of lime-scale, frost damage, corrosion, system debris or blocked filters) or where no fault has been found with the product will still be applied.
- Water or electrical supply, waste and isolation issues, PRV activation
- Compensation for loss of use of the product or consequential loss of any kind.
- Damage or defects caused if the product is repaired or modified by persons not authorised by us or our appointed service engineers.
- Damage or defects that result from inappropriate use or accidental damage, incorrect installation, or lack of maintenance including but not limited to the build up of grime, dirt, lime scale or water-borne debris.
- Damage resulting from inappropriate cleaning or water ingress.
- Damage resulting from PRD activation from either a blocked hose or a blocked shower handset.
- Installation in non-domestic applications.

If you need any advice or if you have any questions please contact Technical Enquiries with your model number and date of purchase - see back page for contact details



Installer Instructions





PLUMBING SUPPLY	Supply Source	Mains pressure cold water only
	Minimum Dynamic Pressure	50kPa (0.5 Bar) (1 Bar BEAB Care)
	Recommended Minimum Dynamic Pressure	100 kPa (1 Bar)
	Maximum Static Pressure	1000 kPa (10 Bar)
	Maximum Inlet Temperature	28°C (20°C BEAB Care)
	Minimum Inlet Temperature	3°C (5°C BEAB Care)
	Inlet Connection	15mm pipe
	Outlet Connection	1/2" BSP Male Thread Fitting
ELECTRICITY SUPPLY	Nominal Rating at 240 V	10.5kW, 9.5kW & 8.5kW
	Supply Fuse / Circuit Breaker Residual Current Device (RCD)	(10.5kW 45/50A), (9.5kW 40/45A) & (8.5kW 35/40A) 30 mA (must be fitted)
	Supply Cable	Refer to current wiring regulations and BS 7671 to determine minimum cable size. No larger than 10mm ²
	Isolation Switch (e.g. Pull Cord)	45 Amp Double pole with 3mm contact separation.
PHYSICAL	Height	(H) 380 mm
	Width	(W) 230 mm
	Depth	(D) 110 mm
	Footprint Height	(H2) 345 mm
	Footprint Width	(W2) 210 mm
	Water Ingress Rating	IPX4
	Water and Cable Entry Points	Top, bottom, side or back.
	Shower Drain Pump Connections	Suitable for M Series (Flow Sensor) or AKW A4 (Flow Switch)
	Wired (Wireless optional)	

Installation requirements and positioning

The shower must only be connected to the mains cold water supply.

The shower must not be positioned where it will be subjected to freezing conditions.
Position the shower unit vertically.

The shower must always be mounted on a finished flat, waterproof surface.
Never tile up to the shower unit.

Do not seal the shower to the wall with silicone or other sealant.

The flat surface must cover the full width and height of the back plate, otherwise difficulty may arise when fitting the cover and subsequent operation of the unit may be impaired.

The water outlet pipe acts as a vent and must never be blocked, restricted or connected to any parts other than those AKW specifically state for use with the AKW SmartCare Lever shower.

Ensure the shower unit is positioned over a bath, shower tray or wet floor.

The shower head must be directed away from the shower unit, during normal use the shower head must not spray directly on to the shower unit.

Before you start work:

Take care when you unpack the product and make sure that you do not inadvertently discard any small parts. Check the contents supplied against the contents page. If any parts are missing or damaged prior to install, contact the AKW Orderline -see back page.

Check there are no pipes or electrical cables inside the wall before drilling.

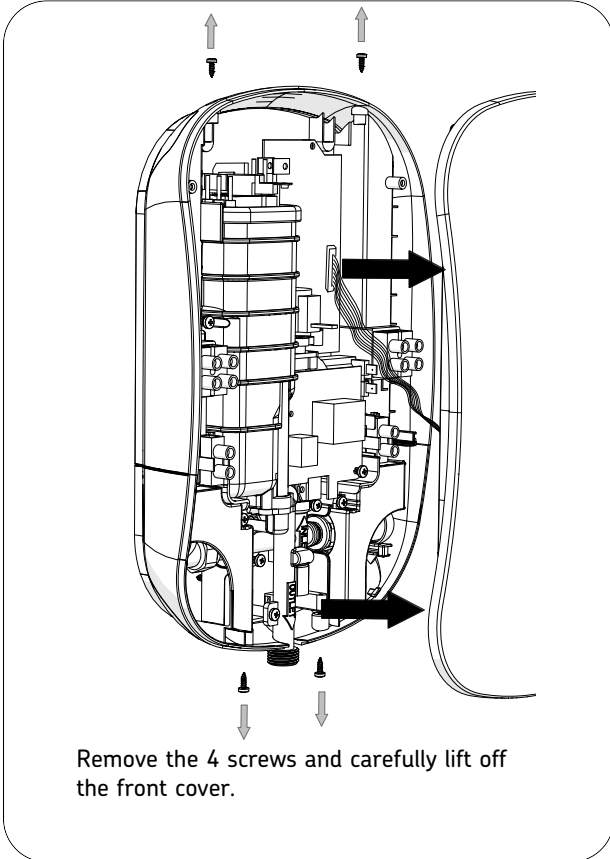
Check that finished walls are sound and free from cracks or loose tiles or grout. Make sure that all surfaces are clean, dry and free from loose debris or dust.

This product is not suitable for mounting into steam rooms or steam cubicles.

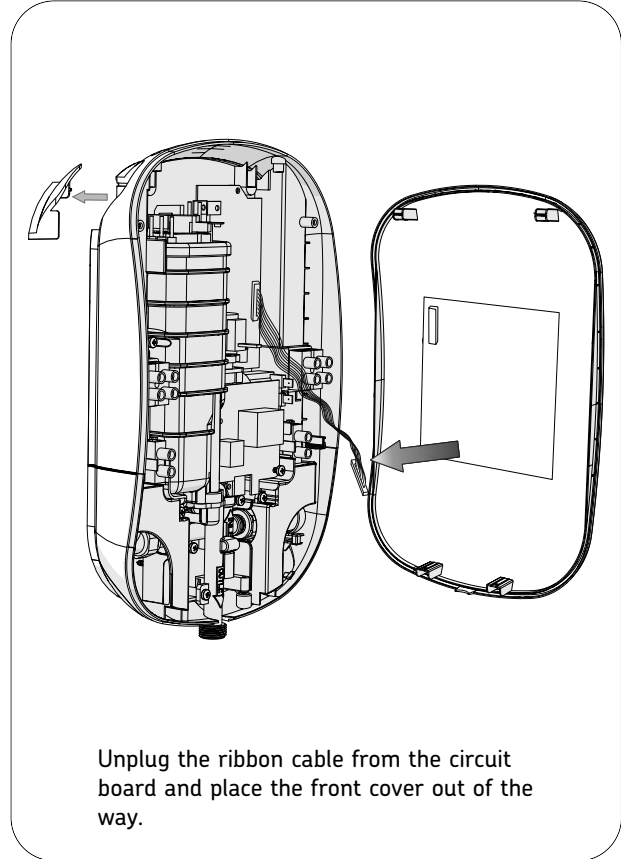
Note; If it is intended to operate the shower in areas of hard water (above 200 ppm temporary hardness), a scale inhibitor may have to be fitted.



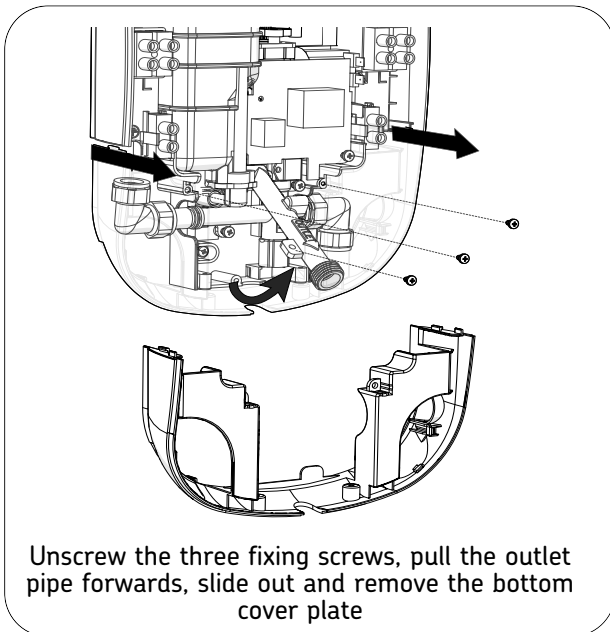
Ensure that the electrical supply is switched off at the mains.
Ensure that the water supply is turned off.



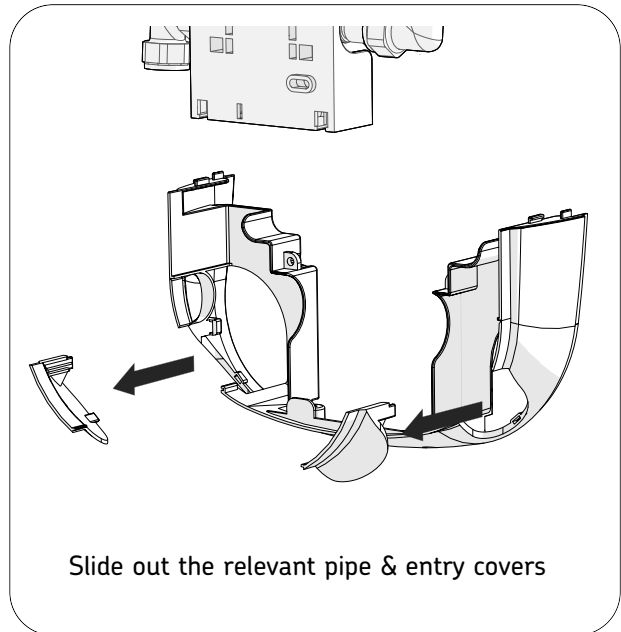
Remove the 4 screws and carefully lift off the front cover.



Unplug the ribbon cable from the circuit board and place the front cover out of the way.



Unscrew the three fixing screws, pull the outlet pipe forwards, slide out and remove the bottom cover plate

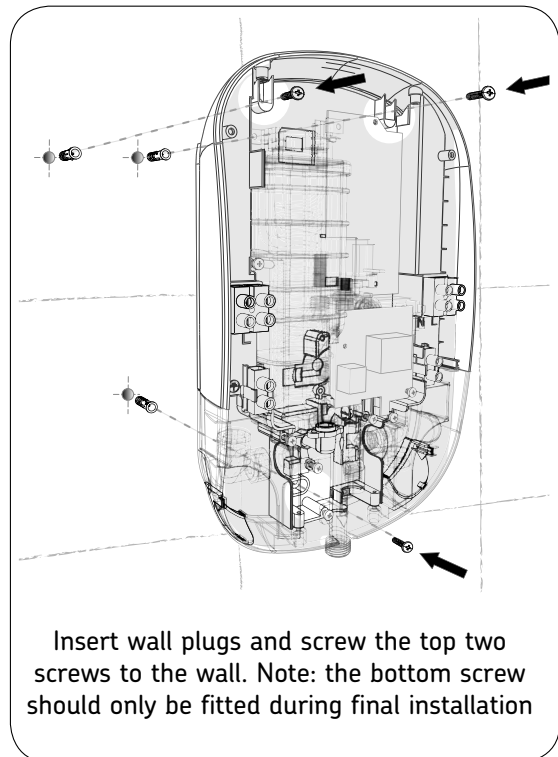
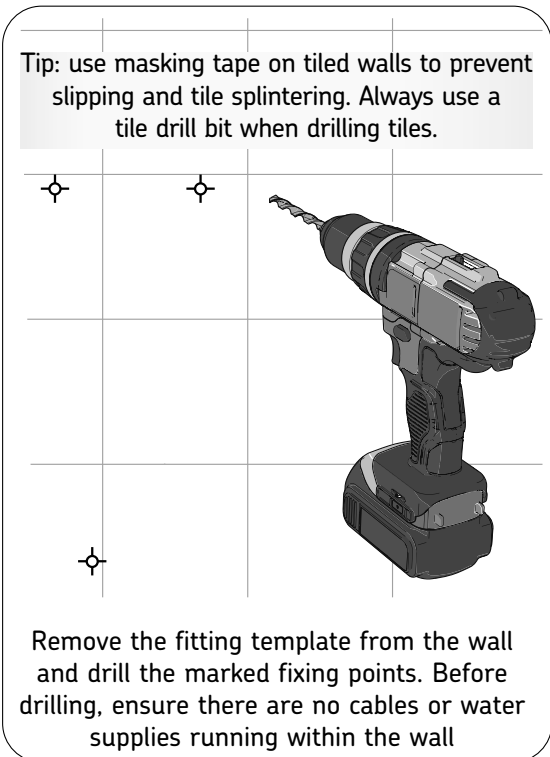
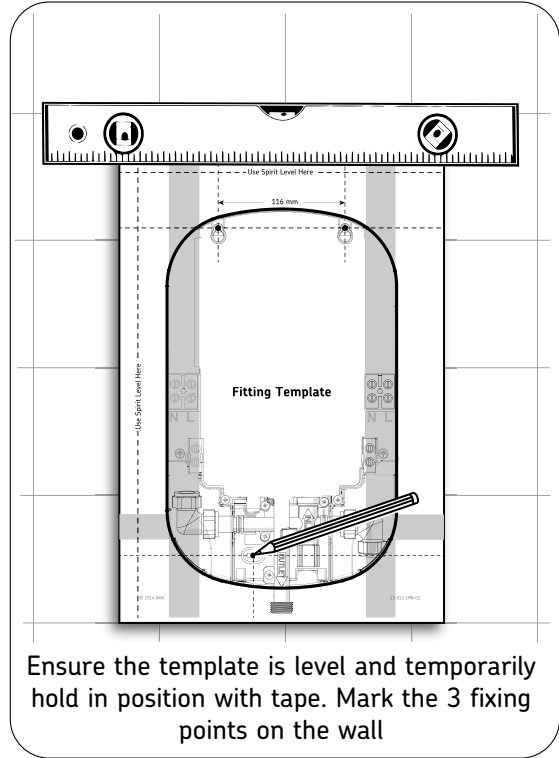
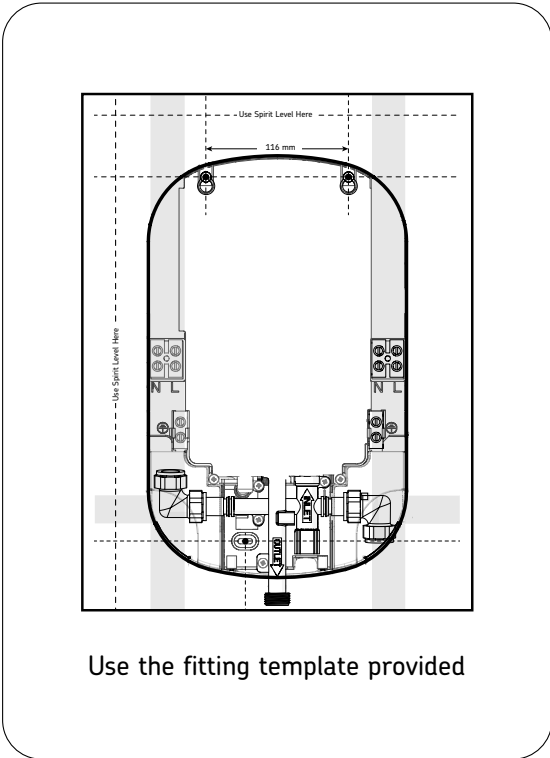


Slide out the relevant pipe & entry covers

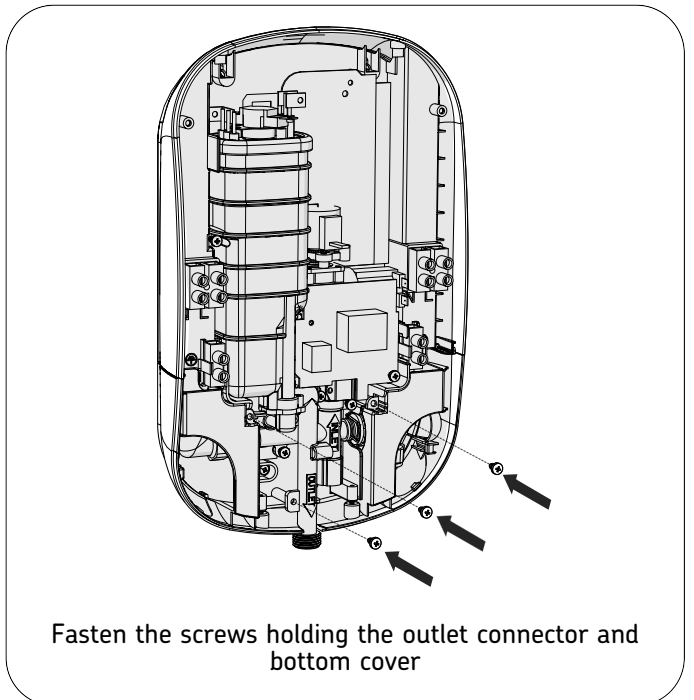
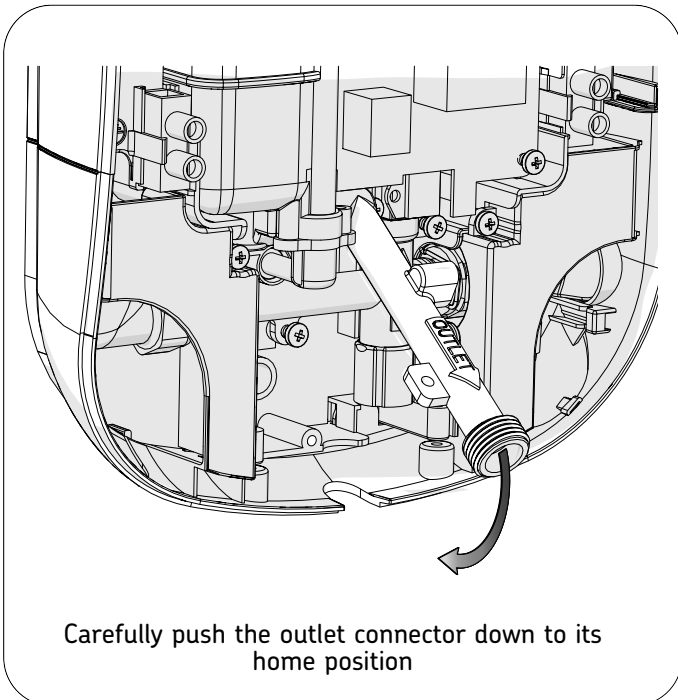
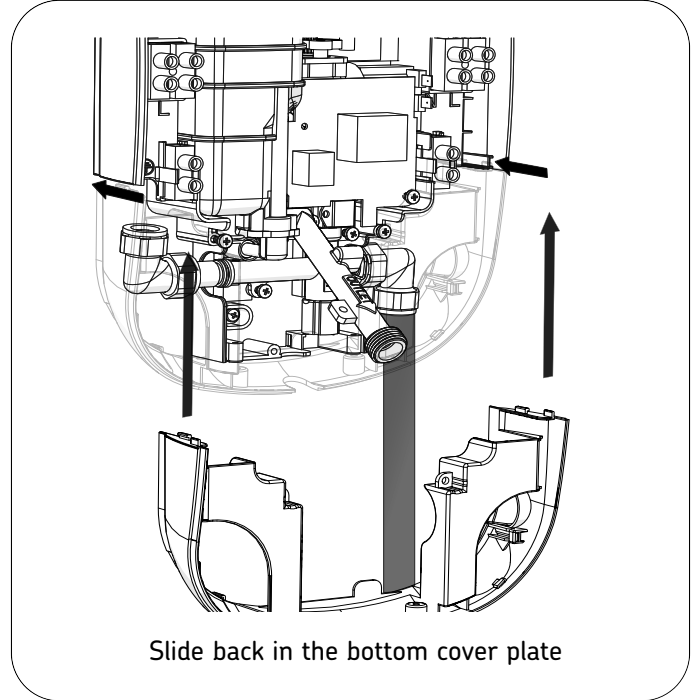
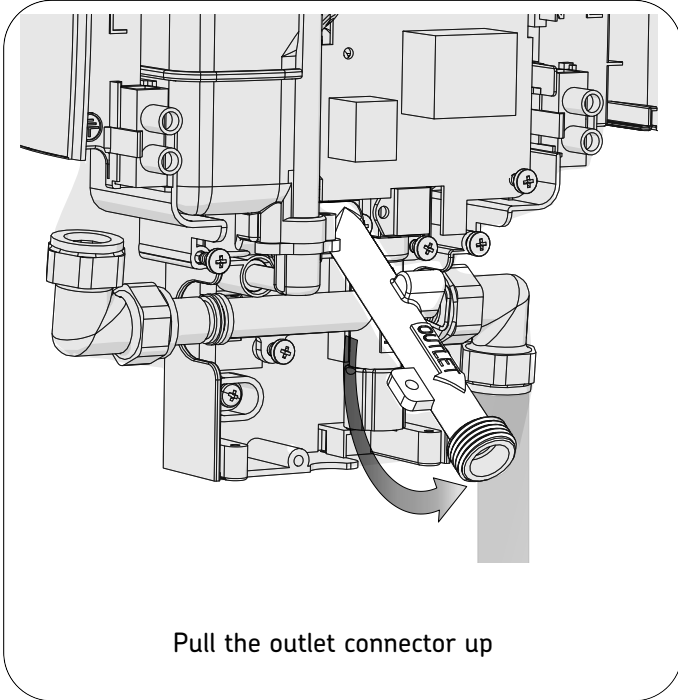
Note the unit can be temporarily hung using the top screw fixings whilst the cable and pipe-work entries can be connected.



It is essential to remove any debris and/or brick dust that could otherwise damage the unit. Do not make any alternative or additional fixing points. Use all 3 fixing points as this will invalidate the warranty. Check for hidden cables and water pipes.



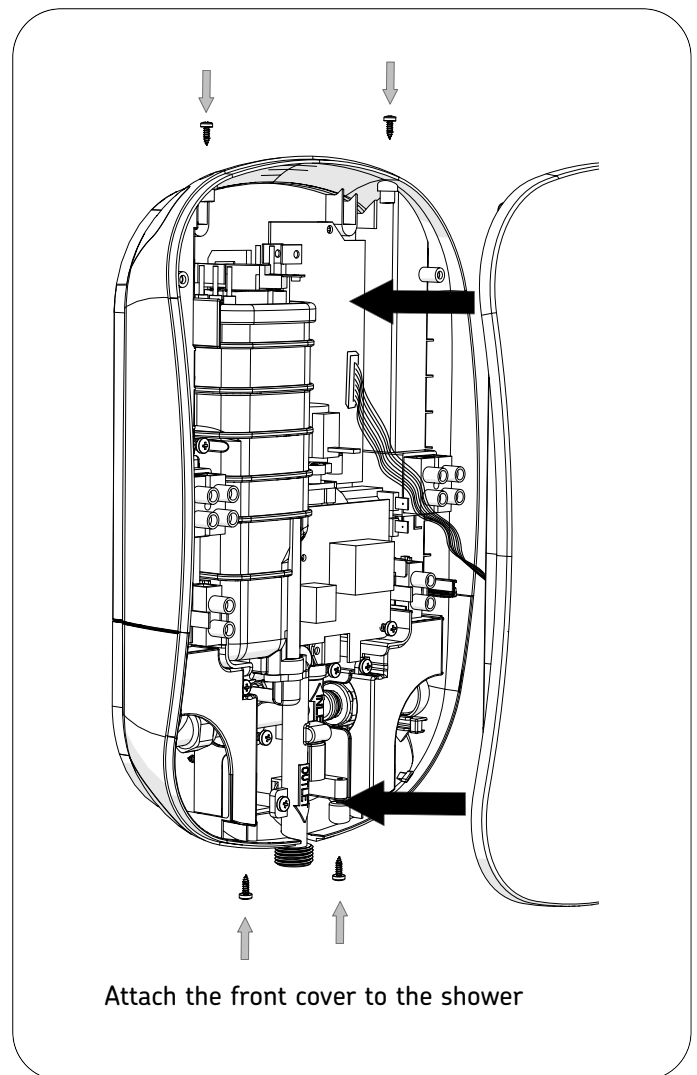
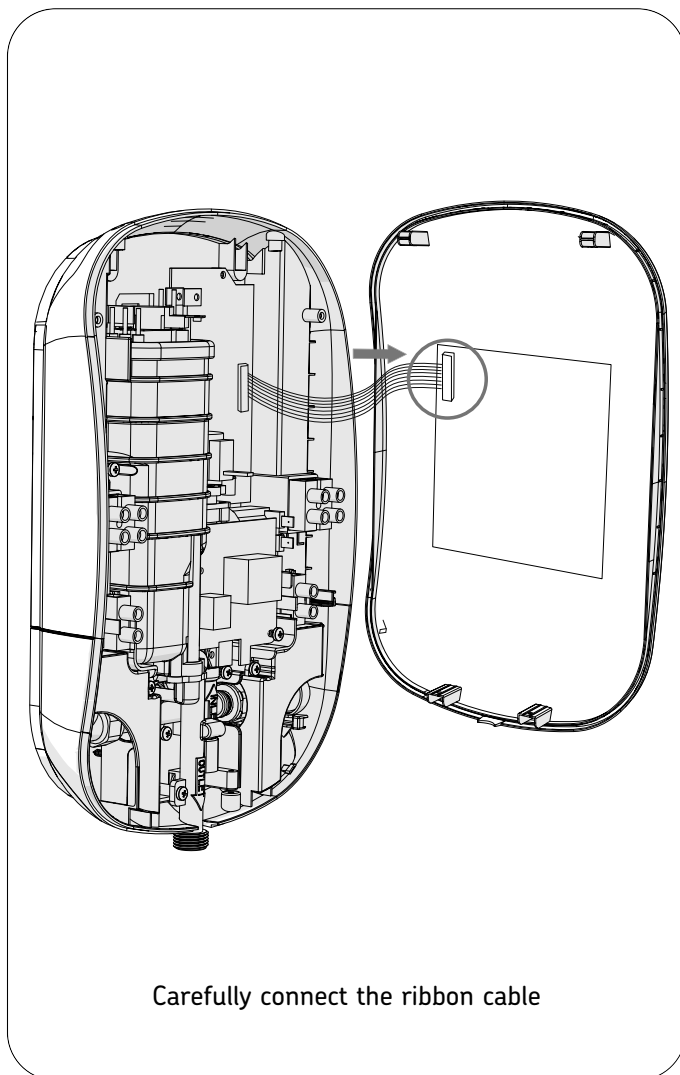
Once the cable and pipe connections have been made, reassemble the bottom cover plates.



Ensure all connectors are correctly inserted before the cover is refitted.

Refit the Front Cover taking care not to trap the ribbon cable or any other wires.

Only use the supplied screws to secure the front cover. Failure to do so, can cause internal damage to the appliance.



COLD WATER FEED ONLY - Never fit the appliance to the hot water supply.

The shower hose retainer should be used (supplied in the accessory pack). The installation should comply with Water Regulations and prevent water supply contamination.

To ensure activation of the heating elements, the shower must be connected to a mains cold water supply with a minimum running pressure of 50kPa (0.5 bar) recommended 1 bar with a maximum static pressure of 1000kPa (10 bar).

Note: For optimal product performance the recommended minimum dynamic water pressure should be 100kPa (1 Bar). Dynamic pressure should not fall below 50kPa (0.5 bar) for example when other draw off's are used, such as a flushing the toilet as this may cause the shower temperature to fluctuate dramatically.

Note: The manufacturer's rigorous quality systems may require operating the shower with water at the factory. Any water will be removed where possible, however there may be a small amount of water residue left in the shower.

There are 8 water inlet points for easy installation and servicing.

The plumbing installation must comply with the local Water Authorities and should be in accordance with the latest Building Regulations.

Plumbing work must be completed before any electrical connections are made.

Make sure there is a cold water feed is easily accessible near to the installation with a local service isolation valve.

Before assembly, flush the water supply pipes thoroughly to remove debris in the pipework (allow the water to run with the main stopcock open for about 3 mins), to prevent debris and dirt particles from blocking the filter which might affect the function of the shower.

DO NOT solder pipes or fittings within 110mm of the shower appliance.

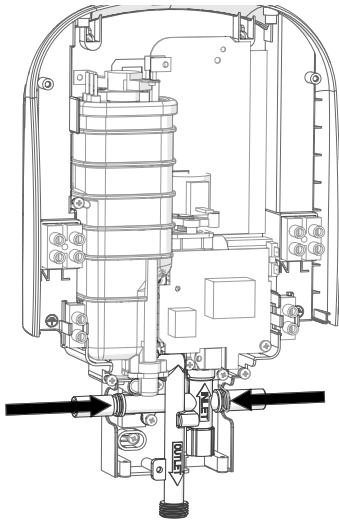
DO NOT fit any form of outlet flow control to the water heater.

DO NOT use excessive force when making connections to the water supply inlet, the flexible hose or the spray head.

Note: An isolating stop valve must be provided on the cold water feed before connecting to the shower. The isolation valve (not supplied) should be fitted as close as is practicable to the water supply inlet of the shower heater whilst being accessible for maintenance and servicing purposes.

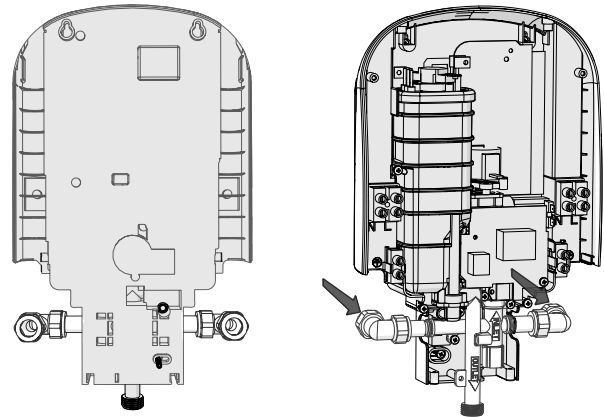
Determine pipework position and select the inlet option most suited to your situation. Always prime pipework and flush clear of debris. To prevent a dead leg occurring in the inlet pipework install the inlet plug into the unused inlet pipe, see separate instruction sheet.

Side Entry



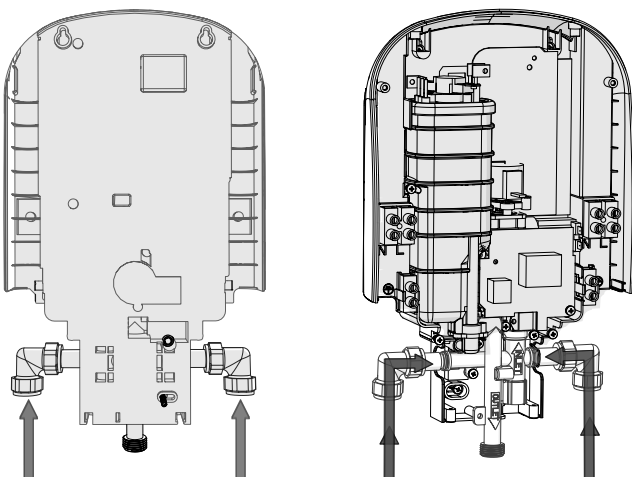
Left or right side inlet. You may need to remove thin areas of plastic cover to facilitate pipe entry.

Rear Entry



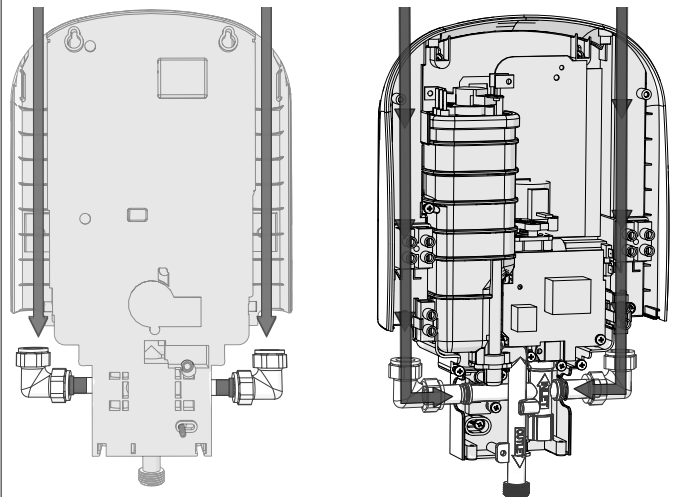
Left or right side rear inlet.

Bottom Entry



Left or right side bottom inlet.

Top Entry



Left or right side top inlet.

Note: Some water from the factory testing may escape when the bottom blanking plug is removed.

CONNECT PIPEWORK AND SECURE THE APPLIANCE TO THE WALL

Separately flush the pipework to remove any debris before connecting to the shower

Note: For ease of installation and servicing, rear entry pipe is only recommended if the top, side or bottom entries are not possible. This pipework must not apply strain to the elbow fitting on the shower. Failure to observe this essential precaution will invalidate the warranty.

Securely fix the shower appliance to the wall and make sure it is vertical.

Do not connect the shower handset yet. Only connect the hose to the shower outlet without the handset at this time and point the hose into the bath, shower tray or wet floor.

Plumbing Check List

- ✓ Check that finished walls are sound and free from cracks or loose tiles or grout. Make sure that the appliance and all surfaces are clean, dry and free from loose debris or dust.
- ✓ The unit must be mounted onto the finished wall or tiled surface (on top of the tiles). DO NOT tile up to or seal around ANY PART of the unit using silicone sealer after fixing to the wall.
- ✓ Turn on the water supply and check there are no leaks - no water should flow through the shower at this point. The maximum static water pressure is 10 bar - The minimum operating dynamic pressure must be at least 0.5 bar. Recommend that for optimum performance this is 1 bar minimum.
- ✓ Place absorbent material around the inlet areas in case of leaks.
- ✓ Checked that there are no leaks
- ✓ Turn off the supply, dry off any water in and around the appliance before connecting or reinstating the electricity.



Caution - Danger of Death 230V AC
Lethal Voltage present on the AC supply.

WARNING - THIS APPLIANCE MUST BE EARTHED

The installation, supply cable and circuit protection must conform to the current wiring regulations and be sufficient for the amperage required and length of cable run. Before making electrical connections within the installation, ensure that the electrical supply has been isolated.

The shower must be connected to its own independent electrical circuit.

DO NOT connect any other device to the power source.

Check your consumer unit (main fuse box) has a main switch rating of 80A or above and that it has a spare fuse way which will take the miniature circuit breaker (MCB) necessary for the shower (see schematic of installation circuit). If your consumer unit has a rating below 80A or if there is no spare fuse way, then the installation may require a new consumer unit serving the property or just the shower. Contact the local electricity company if in any doubt.

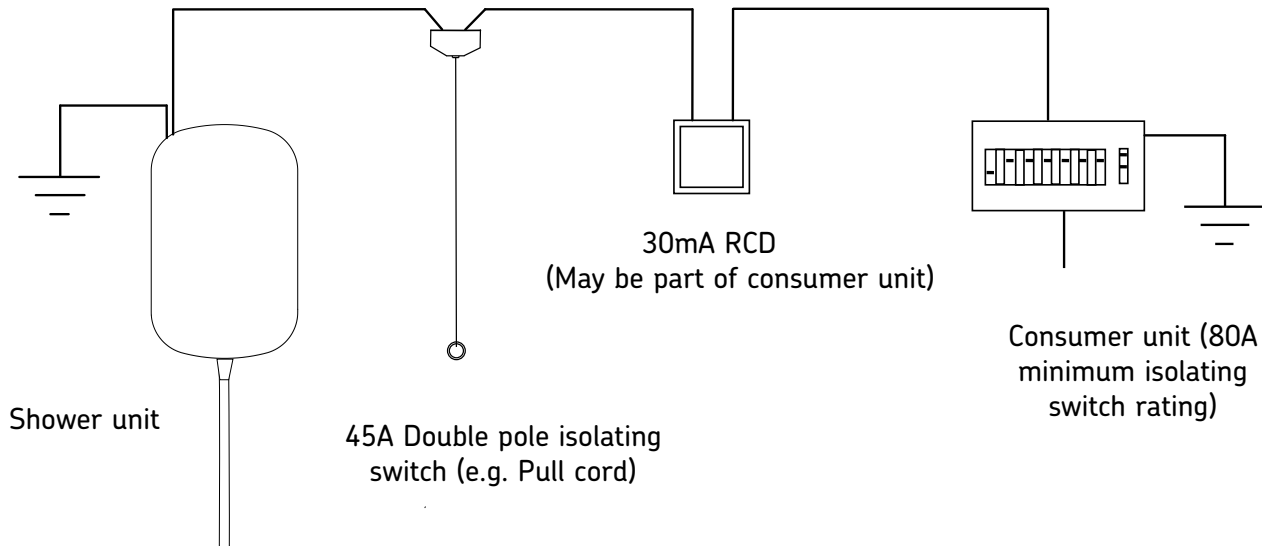
The current carrying capacity of the cable must be at least that of the shower circuit protection. Refer to the current wiring regulations to determine minimum cable size. A maximum of 10mm² can be fitted to the shower. Site conditions must be assessed by a competent electrician to determine correct cable size and permissible circuit length.

Shower circuit cable separation from other circuits must meet wiring regulations.

This appliance is only intended to be permanently connected to the main power supply and has an independent double-pole isolation switch. Other electrical equipment must not be connected to the same shower circuit. A 30mA residual current device (RCD) MUST be installed. This may be part of the consumer unit or a separate RCD unit.

This appliance must be earthed.

All components must be rated and installed in accordance with wiring regulations. This appliance must be earthed.



For fuse sizes required, see page 12.

For adequate circuit protection DO NOT use a rewire-able fuse. Instead use a suitably rated miniature circuit breaker or cartridge fuse.

A 30mA residual current device (RCD) must be installed.

A 45 amp double pole isolating switch with a minimum contact gap of 3mm in both poles must be incorporated in the circuit.

The isolating switch must have a mechanical indicator showing when the switch is in the OFF position, and the wiring must be directly connected to the switch.

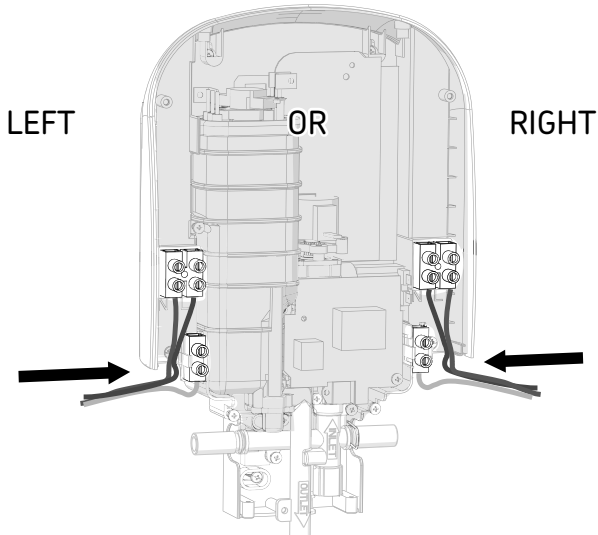
The isolating switch must be accessible and clearly identifiable, although out of reach of a person using a fixed bath or shower. The cord of a cord-operated switch should be placed so that it is not possible to touch the switch body whilst standing in a bath or shower cubicle.

Where shower cubicles are located outside of a bathroom, all socket outlets in the room must be protected by a 30mA RCD. Consult the wiring regulations.

It is recommended to use the shortest cable route possible from the consumer unit to the shower.

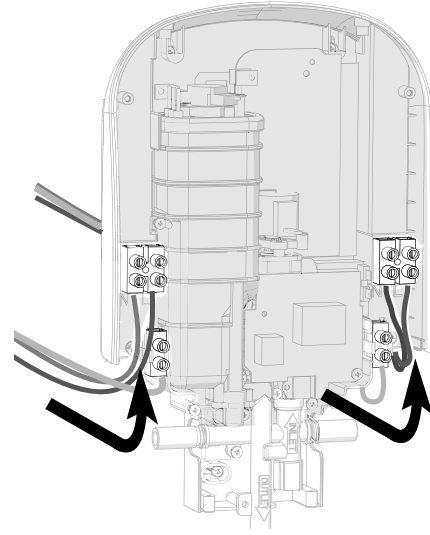
Determine cable entry position

Side Entry



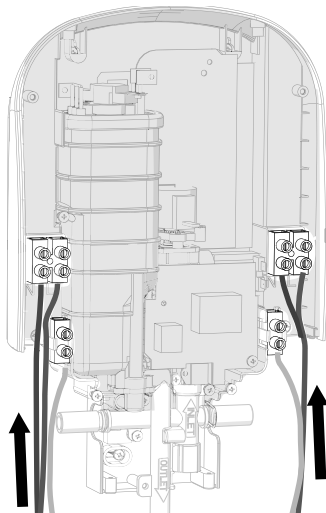
Left or right side cable entry, you may need to remove thin areas of plastic cover to facilitate cable entry.

Rear Entry



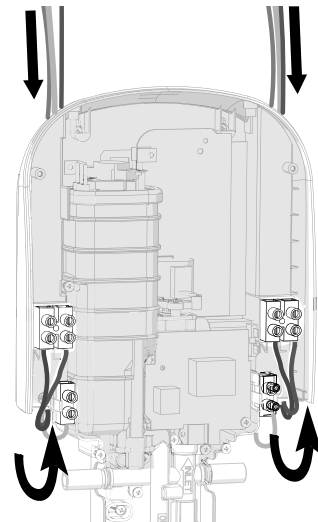
Left or right side rear cable entry.

Bottom Entry



Left or right side bottom cable entry.

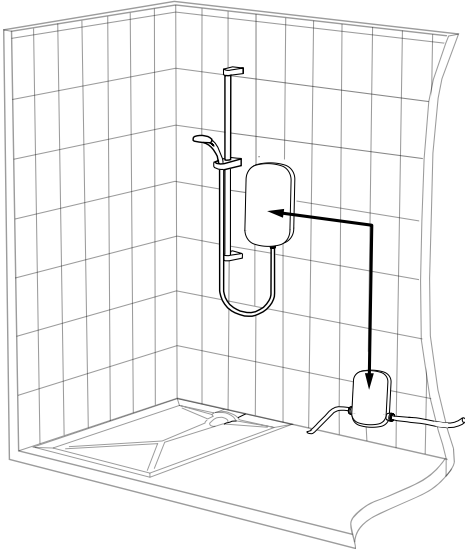
Top Entry



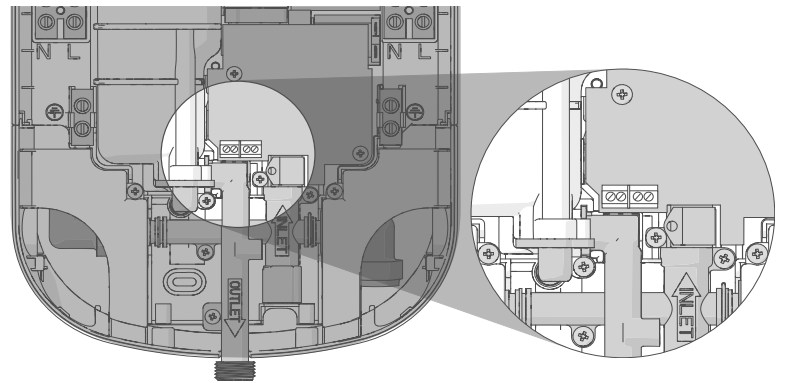
Left or right side top cable entry.

Trim and replace pipe and cable entry covers.

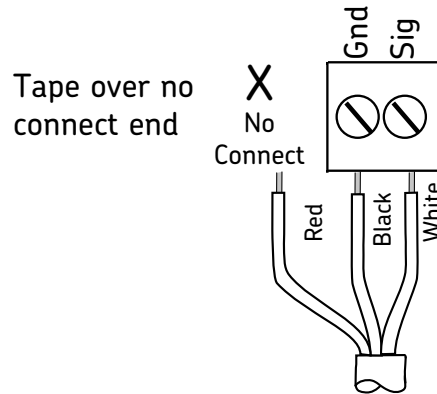
Note: Depending on cable size and entry point used, it may be necessary to strip back the outer cable sheath sufficiently to allow cables to be directed to the terminal connection block within the unit.



To connect the pump using wired connectivity, please follow the diagram shown. If you wish to connect the pump to the shower wirelessly, an optional wireless pump module is required.

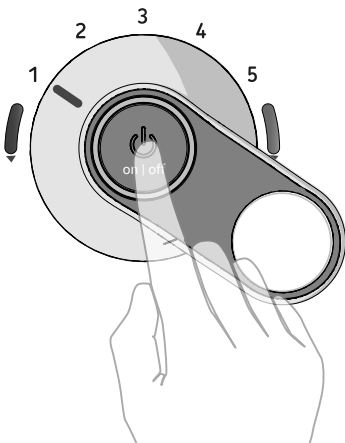


Connecting Pump to Shower

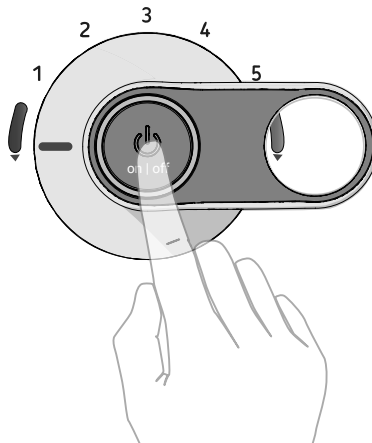


Selecting your Pump Mode

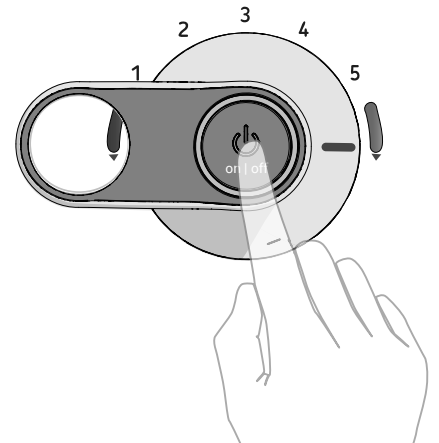
Turn lever to position 1
Press and hold power button for 3 seconds until beep



Switched Mode
Turn lever to MIN: press and release power button



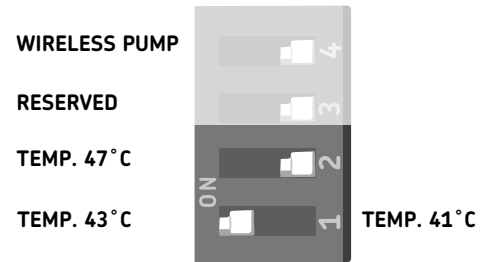
Pulsed Mode
Turn lever to MAX: press and release power button



Factory Settings

The shower is set in its factory setting when packaged.
This is set to **43°C**.

This is not care approved at this temperature.



Temperature Settings

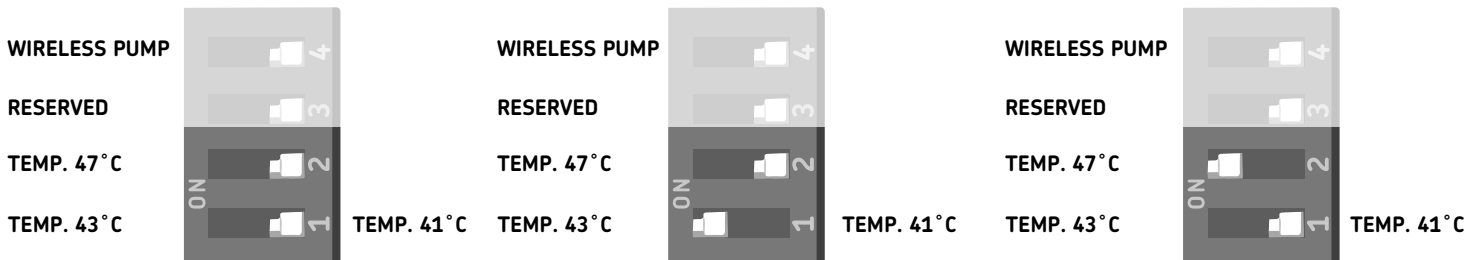
To comply with BEAB Care standard and to be Care approved, then the maximum temperature DIP switch setting must be changed to 41°C.

The maximum water temperature can be set to either 41°C, (43°C factory set) or 47°C by changing the DIP switch located on the control PCB inside the front cover.

MAX. TEMP. 41°C

MAX. TEMP. 43°C

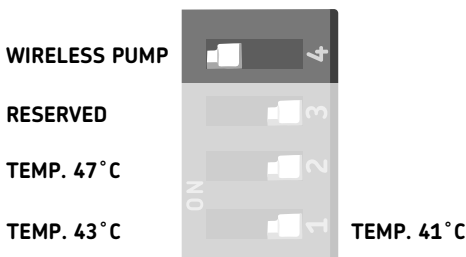
MAX. TEMP. 47°C



Note: If set at 41°C, the shower will beep when switched from isolation to standby

Mode Settings

Pump



Reassemble and connect the front cover.

Before operating the shower, it must be primed with cold water using the cold flush setting

Turn on power at pull cord/switch
Turn handset to the wall

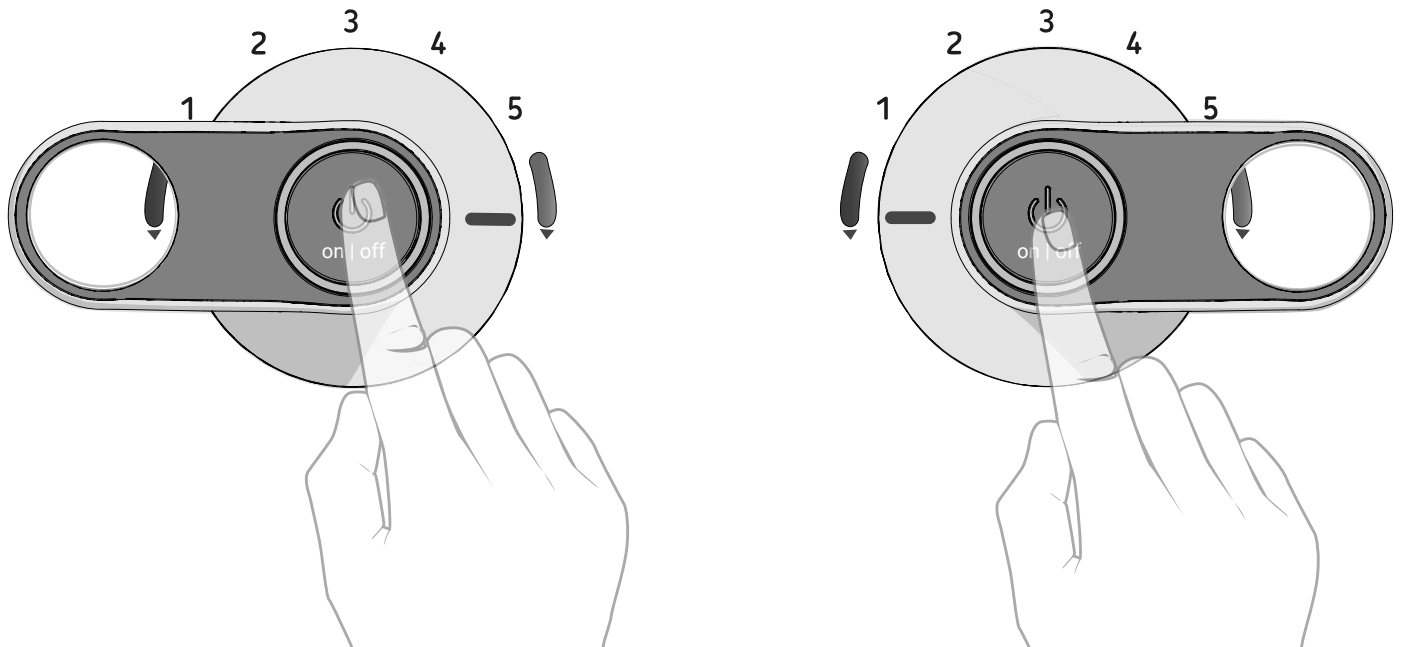
Set temperature lever at maximum

Press and hold power button until beep / led flash ... release power button

Set temperature lever at minimum – press and release power button
cold water will then flow through the unit.

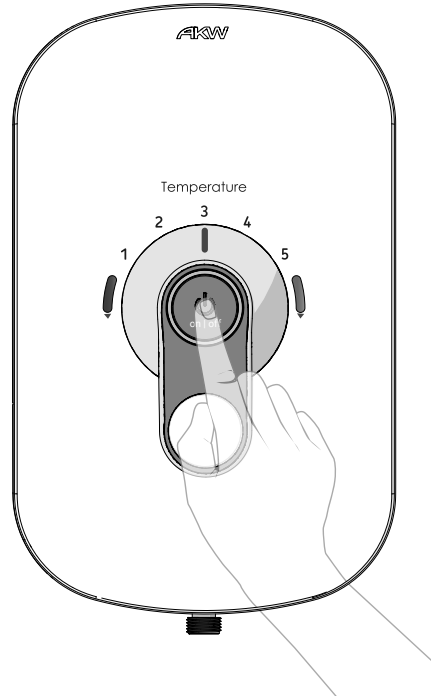
Allow the shower to run until a smooth flow is achieved (approx. 1 minute)

Cancel cold flush – press and release power button
(shower now in back in 'standby')
the shower will revert to standby mode.

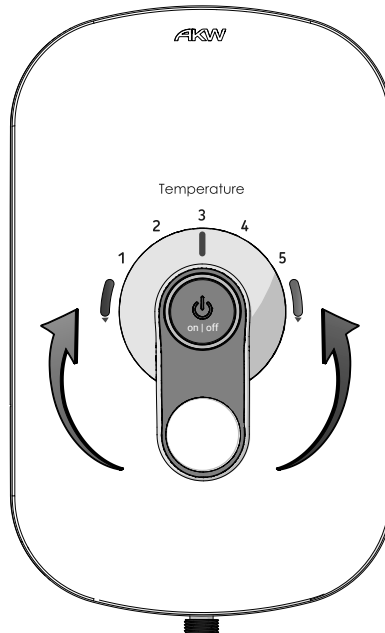


If sequence is not completed within 5 seconds after beep / flash, the operation is cancelled.

Switch on the shower by pressing the power button



Confirm the operation of the Temperature by rotating the lever to increase and decrease the temperature

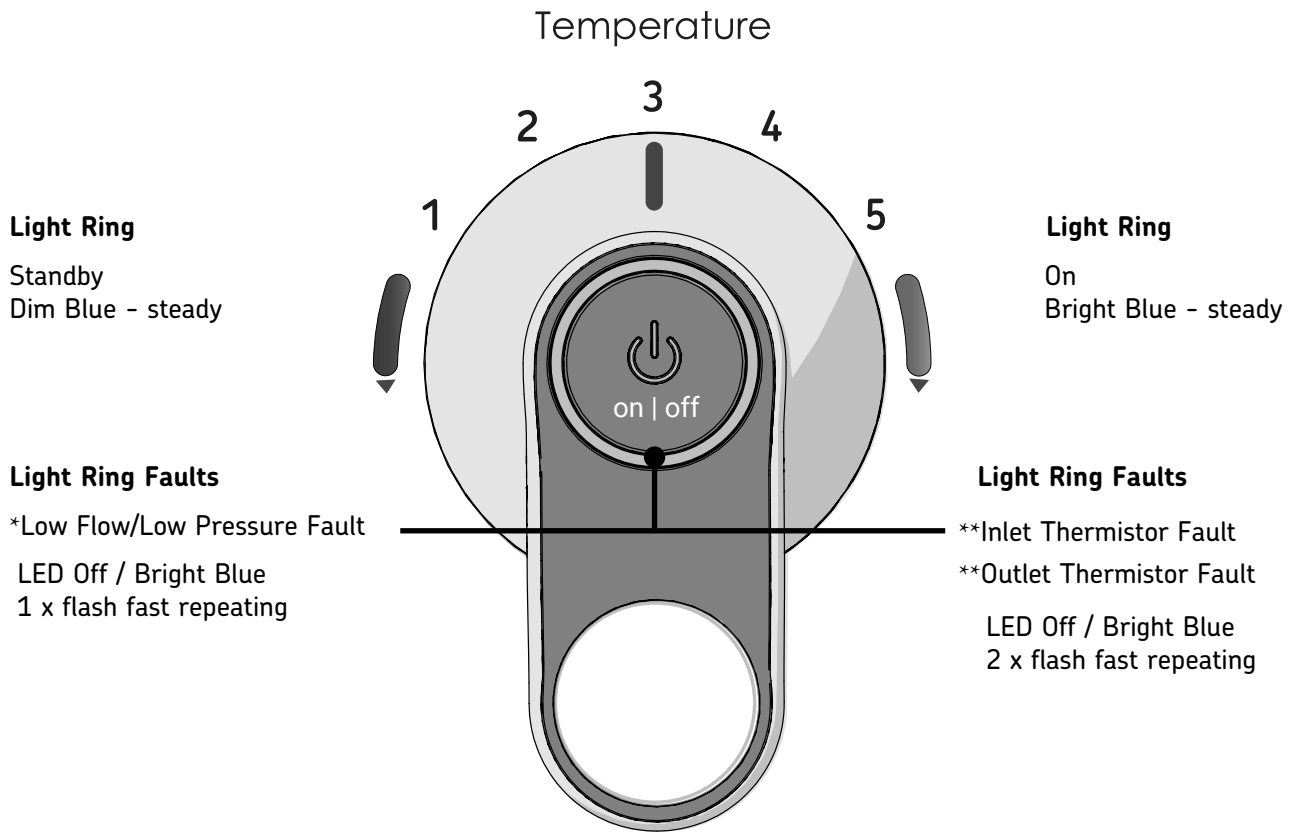


Press the Power button to revert to standby mode

It is important to complete the installation and record the commissioning tests to provide a performance reference point for future tests

In the event that the shower fails to respond to any push-button or exhibits unusual performance characteristics during operation, turn off the electrical supply by operating the pull-cord switch or isolating switch. Wait for the shower to reset, then turn the power back on and push the on/off button. If the problem still persists, note the type of fault on the light ring LED.

Note: Fault signals are indicated by the LED light ring



*User resettable when external fault cleared (On/Off pressed and released)

**Requires internal repair / reset

Overheating

The shower is fitted with an over-temperature indicator and a safety cut-out device. In the event of abnormal operation which could cause unsafe temperatures within the unit, the device will disconnect the heating elements and switch to standby mode.

If the water temperature rises above the desired maximum temperature setting momentarily then ON/OFF LED light ring will flash at a 2Hz rate. The shower will control the water temperature back to the desired level.

If the water temperature rise is uncontrolled the shower will switch to standby mode to prevent an unsafe temperature and the ON/OFF LED light ring will flash immediately. The shower will not turn back on until the water inside the unit has cooled to a safe level.

Perform a COLD FLUSH to cool the heating elements quicker. If the fault persists then a reset or internal repair may be required. Ensure all electrical connections are tight to prevent overheating.

Low Flow/Pressure Failure

The shower contains a 'LOW FLOW/LOW PRESSURE' indicator which will operate, if the following conditions occur:

- Low water pressure optimum performance is recommended at a constant minimum 1 bar
- Blocked or partially blocked spray plate
- Blocked inlet filter
- Supply flow rate is below 2 litres per minute

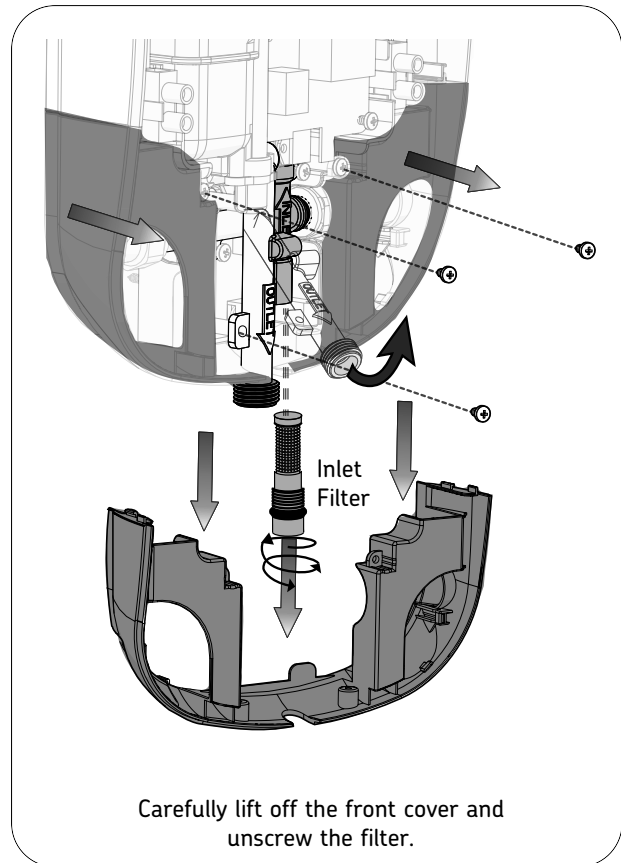
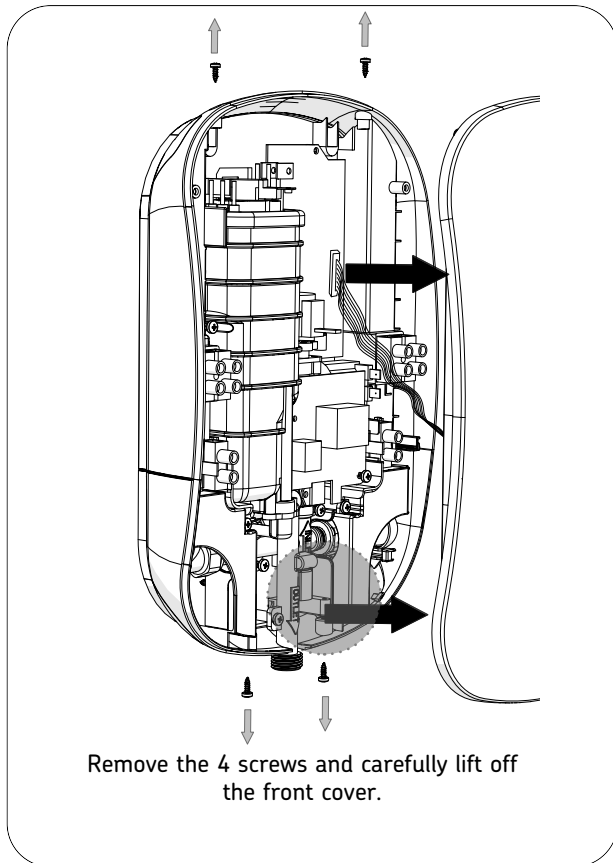
If any of the above low pressure conditions occur, the unit will STOP as this will cause the shower to be over temperature and the ON/OFF light ring will flash twice at a 2Hz rate.

Turn off the electrical supply by operating the pull-cord switch or isolating switch, then turn the power back on and perform a COLD FLUSH.

If the problem still persists then refer to page 8. Ensure all plumbing connections are watertight. Check the hose and shower handset. If the filter is suspected to be blocked, clean it. If the problem still persists, contact AKW Technical Enquiries.

Cleaning the Filter.

This should only be done if you suspect reduced flow rate or water hardness build up.



Follow the disassembly instructions on page 14 to expose the inlet filter. Always isolate the electricity supply before opening the cover.

Ensure that the electrical supply is switched off at the mains.
Ensure that the water supply is turned off.

Rinse the filter in water and once this is clean then return to the inlet housing and reassemble.

Commissioning Procedure

With the shower electrical supply isolated, check that the maximum temperature switch (see page 26) matches the intended use; (41° BEAB Care)

With power applied to the shower:

Check terminal voltage at the shower is within the range 230V +/- 10%

Turn on the shower and enter 'Cold Water Flushing' mode (see page 27)

Check inlet water supply temperature is within the range; 3 to 28°C (5 to 20°C BEAB Care)

Exit Cold Water Flushing when completed

Turn on the shower and by rotating the lever, set the outlet water temperature to maximum. Then carry out the following sequence:

Record the outlet water temperature and flow rate;

Reduce the water supply flow rate at the **inlet** of the shower to 2.5 lpm;

Record the outlet water temperature at the reduced flow rate;

The outlet water temperature should not exceed the maximum temperature DIP switch settings (see page 26).

Record details of test equipment (thermometer, voltmeter, flow meter etc.) used for the measurements.

In-Service Tests

The purpose of in-service tests is regularly to monitor and record the performance of the shower. Deterioration in performance can indicate the need for service work on the shower and/or the water supplies.

Procedure

Using measuring equipment to the same specification as used in commissioning the shower, check that:

The water supply temperature is within the range; 3 to 28°C (5 to 20°C BEAB Care)

The terminal voltage at the appliance is within the range 230V +/- 10%

If the maximum outlet water temperature has changed by more than 1°C from the previous test results, record the change and check

... for any damage/blockage to the shower, inlet filter, hose and handset:

... any in-line or integral check valves or other backflow prevention devices are in good working order;

... any isolating valves are fully open.

With an acceptable outlet water temperature, complete the following procedure:

Record the outlet water temperature and the flow rate at maximum settings;

Reduce the water supply flow rate at the **inlet** of the shower to 2.5 lpm;

Record the outlet water temperature

Record details of test equipment (thermometer, voltmeter etc.) used for the measurements.

If an acceptable outlet water temperature cannot be achieved i.e. temperature is greater than the maximum temperature switch setting (see page 26) by +1° or more then service work is required.

Measuring flow rate

With the shower handset connected, using a measuring jug, collect 1 litre of water and time how long this takes.

60 Divided by the time taken = Flow Rate LPM

e.g. 60 Divided by 20 seconds = 3 LPM

Frequency of in-service tests

Following the commissioning of the shower, or any significant repair, the installation should be re-tested within a 6-8 week period.

If no significant changes (e.g. less than 1°C) in outlet water temperatures are recorded between tests, then the next in-service test can be deferred to 24-28 weeks.

If there is a significant change then contact Technical Enquiries - see back page.

BEAB Care In-Service Test Record

Serial Number	Address	Location	Date ____ / ____ / ____ Installer _____
---------------	---------	----------	--

Max.Temp. Dip switch Setting (Care 41)	Condition (Pass/Fail)				Supply Voltage VAC	Water Temperature °C			Flow Rate lpm	Test Equipment Detail	Date (DD/MM/YY)	Signature
	Shower	Filter	Hose	Handset		Inlet	Outlet (normal)	Outlet (reduced flow)				

This page may be reproduced for continued recording of in-service testing for the future

Orderline

01905 823299

General Enquiries

01905 823298

Technical Enquiries

01905 560219

technicalenquiries@akw-ltd.co.uk

Fax

01905 823297

Website

www.akw-ltd.co.uk

Quotes & Orders Email

orders@akw-ltd.co.uk

Sales & Enquiries Email

sales@akw-ltd.co.uk

AKW, Pointon Way,
Hampton Lovett,
Droitwich Spa,
WR9 0LR



Social



facebook.com/akwone



twitter.com/akw_one



youtube.com/akwstyleability



linkedin.com/company/akw

As part of our continuous improvement programme we appreciate any feedback on our products and instructions. If you have any tips or comments please let us know!